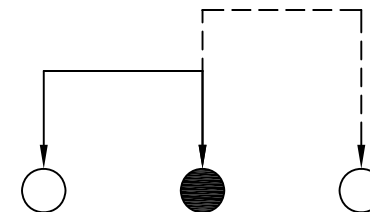
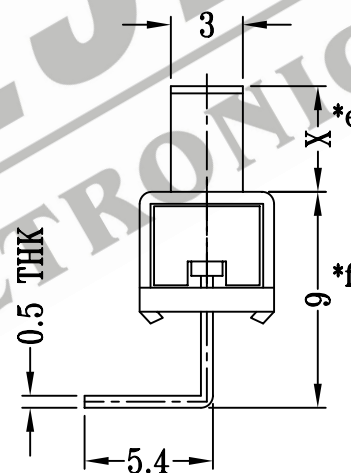
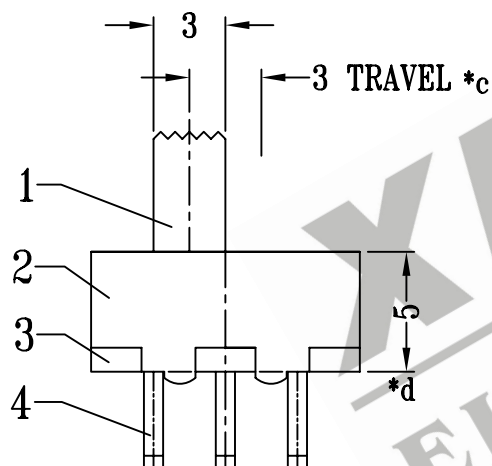
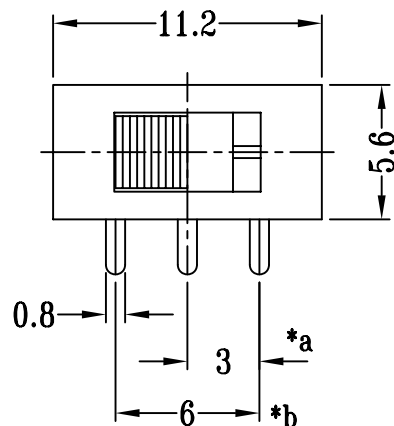
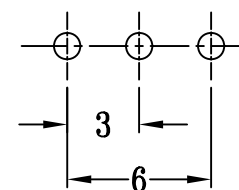




CAD FILE:



SCHEMATIC (NON-SHORTING)



P.C.B LAYOUT

注:带"\*"表示关键尺寸(6个)

| NO. | PARTS        | MATERIALS      | Q'TY | FINISH                   | TOLERANCE<br>UNLESS SPECIFIED        | SHENZHEN XIEJIA ELECTRONICS CO.,LTD.    |           |           |                            |                          |       |
|-----|--------------|----------------|------|--------------------------|--------------------------------------|---|-----------|-----------|----------------------------|--------------------------|-------|
| 8   |              |                |      |                          | WITHIN: 1.5±0.1mm<br>OVER: 1.5±0.2mm | ISSUE                                   |           | DATE      |                            | DESCRIPTIONS OF REVISION | APPD. |
| 7   |              |                |      |                          |                                      | TITLE : VERTICAL SLIDE SWITCH           |           | UNIT : mm | DRWG NO.: XJ-DR-SS12F27-00 |                          |       |
| 6   | CONTACT CLIP | COPPER STRIP   | 1    | Ag PLATED                | MODEL: SS-12F27                      | SCALE: 3 : 1                            |           | DWN.      | ZHOUYU                     | 2004-8-23                |       |
| 5   | SPRING       | STEEL WIRE     | 1    | TEMPER                   |                                      | ALL MATERIALS MUST BE COMPLIANT TO ROHS |           | CHK'D     | FANGYING                   | 2004-8-23                |       |
| 4   | TERMINAL     | BRASS STRIP    | 3    | Ag PLATED OVER Ni PLATED | APPD.                                |   | KANGXINAN | 2004-8-23 |                            |                          |       |
| 3   | BASE         | PHENOLIC RESIN | 1    | NATURAL                  |                                      |   |           |           |                            |                          |       |
| 2   | FRAME        | STEEL STRIP    | 1    | BLACK                    |                                      |   |           |           |                            |                          |       |
| 1   | KNOB         | POM            | 1    | WHITE                    |                                      |   |           |           |                            |                          |       |